

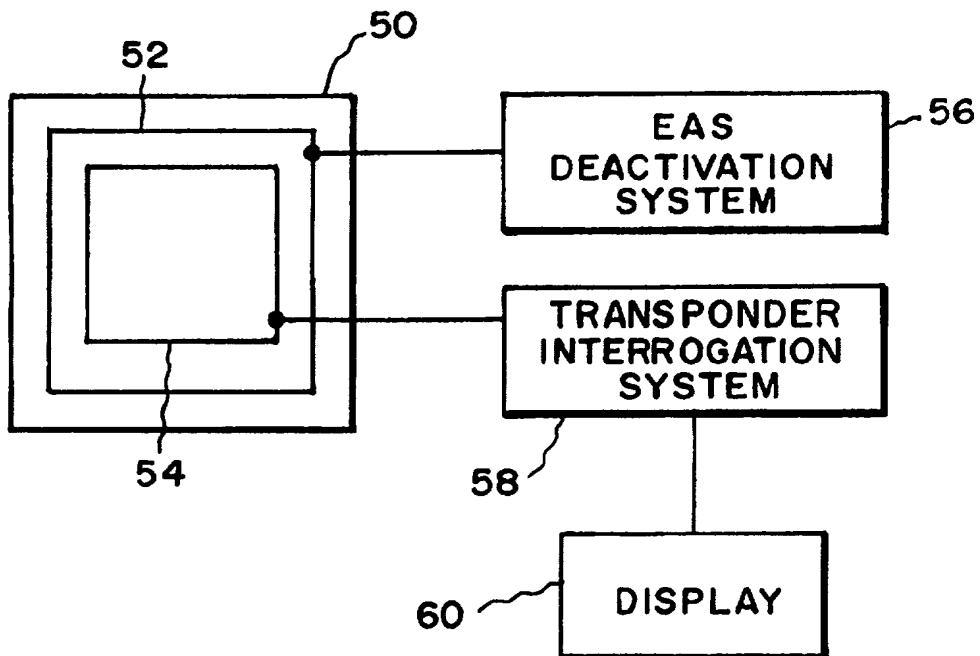


INTERNATIONAL APPLICATION PUBLISHED UNDER THE PATENT COOPERATION TREATY (PCT)

<p>(51) International Patent Classification ⁶ : G08B 23/00</p>	<p>A1</p>	<p>(11) International Publication Number: WO 98/13805 (43) International Publication Date: 2 April 1998 (02.04.98)</p>
--	-----------	---

<p>(21) International Application Number: PCT/US97/17570 (22) International Filing Date: 26 September 1997 (26.09.97) (30) Priority Data: 08/721,175 26 September 1996 (26.09.96) US (71) Applicant: SENSORMATIC ELECTRONICS CORPORATION [US/US]; 951 Yamato Road, Boca Raton, FL 33431-0700 (US). (72) Inventors: ALICOT, Jorge, F.; 15849 Ashby Field Road, Davie, FL 33331 (US). FREDERICK, Richard, B.; 2531 N.E. 45th Street, Lighthouse Point, FL 33064 (US). TRIBBEY, Scott, A.; 6402 Lake Tern Way, Coconut Creek, FL 33073 (US). PATTERSON, Hubert, A.; 3663 24th Way N.W., Boca Raton, FL 33431 (US). (74) Agent: KASHIMBA, Paul, T.; 951 Yamato Road, Boca Raton, FL 33431-0700 (US).</p>	<p>(81) Designated States: AL, AM, AT, AU, AZ, BA, BB, BG, BR, BY, CA, CH, CN, CU, CZ, DE, DK, EE, ES, FI, GB, GE, GH, HU, IL, IS, JP, KE, KG, KP, KR, KZ, LC, LK, LR, LS, LT, LU, LV, MD, MG, MK, MN, MW, MX, NO, NZ, PL, PT, RO, RU, SD, SE, SG, SI, SK, SL, TJ, TM, TR, TT, UA, UG, UZ, VN, YU, ZW, ARIPO patent (GH, KE, LS, MW, SD, SZ, UG, ZW), Eurasian patent (AM, AZ, BY, KG, KZ, MD, RU, TJ, TM), European patent (AT, BE, CH, DE, DK, ES, FI, FR, GB, GR, IE, IT, LU, MC, NL, PT, SE), OAPI patent (BF, BJ, CF, CG, CI, CM, GA, GN, ML, MR, NE, SN, TD, TG).</p> <p>Published <i>With international search report. Before the expiration of the time limit for amending the claims and to be republished in the event of the receipt of amendments.</i></p>
--	---

(54) Title: AN APPARATUS FOR DATA COMMUNICATION AND DEACTIVATION OF ELECTRONIC ARTICLE SURVEILLANCE TAGS



(57) Abstract

An apparatus for data communication and deactivating an electronic article surveillance tag comprising an antenna (54) for communicating with a transponder located within a predetermined area and a deactivation coil (52) for deactivating an electronic article surveillance tag located within the predetermined area.

FOR THE PURPOSES OF INFORMATION ONLY

Codes used to identify States party to the PCT on the front pages of pamphlets publishing international applications under the PCT.

AL	Albania	ES	Spain	LS	Lesotho	SI	Slovenia
AM	Armenia	FI	Finland	LT	Lithuania	SK	Slovakia
AT	Austria	FR	France	LU	Luxembourg	SN	Senegal
AU	Australia	GA	Gabon	LV	Latvia	SZ	Swaziland
AZ	Azerbaijan	GB	United Kingdom	MC	Monaco	TD	Chad
BA	Bosnia and Herzegovina	GE	Georgia	MD	Republic of Moldova	TG	Togo
BB	Barbados	GH	Ghana	MG	Madagascar	TJ	Tajikistan
BE	Belgium	GN	Guinea	MK	The former Yugoslav Republic of Macedonia	TM	Turkmenistan
BF	Burkina Faso	GR	Greece	ML	Mali	TR	Turkey
BG	Bulgaria	HU	Hungary	MN	Mongolia	TT	Trinidad and Tobago
BJ	Benin	IE	Ireland	MR	Mauritania	UA	Ukraine
BR	Brazil	IL	Israel	MW	Malawi	UG	Uganda
BY	Belarus	IS	Iceland	MX	Mexico	US	United States of America
CA	Canada	IT	Italy	NE	Niger	UZ	Uzbekistan
CF	Central African Republic	JP	Japan	NL	Netherlands	VN	Viet Nam
CG	Congo	KE	Kenya	NO	Norway	YU	Yugoslavia
CH	Switzerland	KG	Kyrgyzstan	NZ	New Zealand	ZW	Zimbabwe
CI	Côte d'Ivoire	KP	Democratic People's Republic of Korea	PL	Poland		
CM	Cameroon	KR	Republic of Korea	PT	Portugal		
CN	China	KZ	Kazakstan	RO	Romania		
CU	Cuba	LC	Saint Lucia	RU	Russian Federation		
CZ	Czech Republic	LI	Liechtenstein	SD	Sudan		
DE	Germany	LK	Sri Lanka	SE	Sweden		
DK	Denmark	LR	Liberia	SG	Singapore		
EE	Estonia						

**AN APPARATUS FOR DATA COMMUNICATION AND DEACTIVATION OF
ELECTRONIC ARTICLE SURVEILLANCE TAGS**

FIELD OF THE INVENTION

5 This invention relates to electronic article surveillance and, more particularly, to data communication and deactivation of electronic article surveillance tags.

BACKGROUND OF THE INVENTION

10 Electronic article surveillance (EAS) systems have employed either reusable EAS tags or disposable EAS tags to monitor articles to prevent shoplifting and unauthorized removal of articles from store. The reusable EAS tags are normally removed from the articles before the customer exits the store. The disposable tags are generally attached to the packaging by adhesive or are disposed inside the packaging. These tags remain with the articles and must be deactivated before they are removed from the store by the customer. Deactivation devices use coils which are energized to generate a magnetic field of sufficient magnitude to render
15 the EAS tag inactive. The deactivated tags are no longer responsive to the incident energy of the EAS system so that an alarm is not triggered.

 In one type of deactivation system the checkout clerk passes the articles one at a time over a deactivation device to deactivate the tags and then places the articles into a shopping bag or other bulk container. This system employs one coil disposed horizontally within a
20 housing. The clerk moves the tagged articles across the horizontal top surface of the housing such that the tag is disposed generally coplanar with the coil.

 Another deactivation system utilizes a housing having a cavity with three sets of two coils each disposed around the cavity in respective x, y, and z axis planes, such that there is a coil located in a plane parallel to each side of the cavity and two coils disposed around the
25 cavity with one being near the top and the other being near the bottom of the cavity. The checkout clerk places a bag or bulk container into the cavity and then places the tagged articles into the bag. After all of the articles have been placed into the bag or when the bag is full, the clerk energizes the coils to deactivate all of the EAS tags in the bag. The clerk then lifts the bag out of the cavity. This system provides deactivation of multiple tags at one time
30 and does not require specific orientation of the tags.

Many retail establishments having high volumes find it desirable to expedite and facilitate the checkout process including the gathering of data about the article being purchased and the deactivation of the EAS tags. The data required by many retailers includes article identification, the price of the article, and other information for inventory control. The bar code labels in current use are limited in the amount of data that can be provided, and the checkout clerk can have difficulties getting the proper line of sight between the bar code label and bar code scanner thereby slowing the checkout process.

SUMMARY OF THE INVENTION

In accordance with the present invention there is provided an apparatus for data communication and deactivation of an electronic article surveillance tag. The apparatus comprises an antenna positioned for communication with a transponder located within a predetermined area, and a deactivation coil for deactivating an electronic article surveillance tag located within the predetermined area.

The system of the present invention includes EAS deactivation and information gathering for the point of sale transaction to provide a complete solution to expedite retail checkout. High frequency radio frequency identification (RFID) tags are easily shielded or detuned by proximity to various materials and the human body, and RFID tags having small coil geometry do not provide the wide exit EAS coverage that retailers desire. However, the RFID tags are well suited to providing data about the article to which they are attached and are well suited to an expedited gathering of that data at the point of sale. In addition, data can be written to the RFID tag which can include the date and place of sale, the selling price, and the manufacturer for authenticity of the article. An EAS tag provides the security needed by the retail environment.

Other objectives, advantages, and applications of the present invention will be made apparent by the following detailed description of the preferred embodiment of the invention.

DESCRIPTION OF THE DRAWINGS

Fig. 1 is a perspective view of a bagging station having a data capture and EAS tag deactivation system according to one embodiment of the present invention.

Fig. 2 is a perspective partially cut away view showing one embodiment of the deactivation coils and transponder interrogation antenna in the bagging station of Fig. 1.

Fig. 3 is a diagram showing one embodiment of an EAS deactivation coil and transponder interrogation antenna.

Fig. 4 shows an alternative embodiment of the present invention.

Fig. 5 illustrates a preferred embodiment of an integrated tag for use with the present invention.

DETAILED DESCRIPTION OF PREFERRED EMBODIMENTS

Referring to Fig. 1, a bagging station 10 incorporating a data capturing and EAS deactivation system according to one embodiment of the present invention is shown. Bagging station 10 has three sidewalls 12, 14, and 16 and a bottom 18 that define a volume 20 in which a shopping bag 22 or other bulk container can be placed. A quantity of plastic shopping bags can be placed on bulk holder 24 with their handles on bag racks 26 and 28 and then pulled out for use one at a time. Bulk holder 24 and bag racks 26 and 28 are mounted on sidewall 16. Shopping bag 22 contains article 30 which has an associated EAS tag 32 for use with an EAS system as is known in the art and a transponder tag 33 that contains a radio frequency identification (RFID) chip and an antenna. The RFID chip of transponder tag 33 has a memory that can contain data that identifies the article and the pricing of the article as well as other information to assist in the point of sale transaction, and inventory control. Preferably EAS tag 32 is a magnetoacoustic EAS tag sold by the assignee of this application under the brand name "ULTRA•MAX®", such EAS tags are used widely for theft deterrence.

Fig. 2 shows a deactivation coil and transponder antenna arrangement of the present invention for use with bagging station 10. Deactivation coil 34 is located inside sidewall 12, and deactivation coil 36 is located inside sidewall 14. Sidewalls 12 and 14 are parallel so that deactivation coils 34 and 36 are located in parallel planes. Deactivation coil 38 has four coil sections 40, 42, 44, and 46. Coil section 40 is located in bottom 18 near the front portion thereof, and coil section 42 is located in sidewall 16 near the top portion thereof. Coil sections 44 and 46 are located in sidewalls 12 and 14 respectively along the approximate respective diagonals of deactivation coils 34 and 36. A power supply energizes deactivation coils 34, 36, and 38 to create the magnetic fields to deactivate EAS tag 32. Antenna 48 for interrogating transponders located in a predetermined area, such as volume 20, captures the data about article 30 that is contained in transponder tag 33.

Fig. 3 illustrates diagrammatically one embodiment of an EAS deactivation coil and transponder interrogation antenna in a sidewall of the system shown in Figs. 1 and 2. Coil section 42 of deactivation coil 38 is located near the top portion of sidewall 16 as illustrated in Figs. 1 and 2. Interrogation coil 48 can be a simple loop antenna as shown or it can
5 comprise alternate configurations as is known in the art.

Fig. 4. shows an alternative embodiment of the present invention in which the EAS deactivation coil and the transponder coil are positioned in a pad or housing 50, such as the deactivation pad marketed by the assignee of this invention under the brand name "Rapid Pad™". EAS deactivation coil 52 is located inside housing 50, and transponder interrogation
10 antenna 54 is also positioned inside housing 50. As shown antenna 54 is positioned inside of deactivation coil 52; however, other configurations are possible, for example, antenna 54 can be located outside of deactivation coil 52 or antenna 54 and deactivation coil 54 can overlap. Deactivation coil 52 is actuated by EAS deactivation system 56 as is known in the art. Antenna 54 is connected to transponder interrogation system 58 which provides the
15 appropriate interrogation signals, as is known in the art, to a transponder positioned in a predetermined area, such as an area above housing 50, to gather information about the article being checked out and then use such information for the transaction at the point of sale. In addition, transponder interrogation system 58 can provide or write information to the transponder. This information can include the date and place of sale, the selling price, and
20 manufacturer for authenticity of the article. The information can be displayed on display 60 which can be a monitor, cash register display or other suitable display. In addition, transponder interrogation system 58 can store such information for inventory control or other uses.

Referring to Fig. 5, a preferred embodiment of a multifunction tag 10 for use with the
25 present invention is shown. A bottom cover 12, such as a substrate or film, has an upper surface 14 on which EAS tag 16 is positioned. A transponder 18 comprising an RFID chip 20 and an antenna 22 attached to RFID chip 20 are positioned on surface 14 such that antenna 22 is located around EAS tag 16. RFID chip 20 contains logic and memory as is known in the art, and the memory can contain data about the article to which it will be attached. This
30 data can include identification of the article, the price of the article, and inventory control information. A cover 24, such as a film or mylar, covers EAS tag 16 and transponder 18.

The surface of cover 24 which contacts surface 14, EAS tag 16, and transponder 18 can also have an adhesive to assist in bonding the parts together. Cover 12 can comprise a housing that has a cavity that is sized to accommodate transponder 18 and a another cavity that is sized to accommodate EAS tag 16.

5 It is to be understood that variations and modifications of the present invention can be made without departing from the scope of the invention. It is also to be understood that the scope of the invention is not to be interpreted as limited to the specific embodiments disclosed herein, but only in accordance with the appended claims when read in light of the foregoing disclosure.

CLAIMS

What is claimed is:

1. An apparatus for use with an article having an associated data transponder and an associated electronic article surveillance tag, said apparatus comprising: a data
5 communication system for communicating with said data transponder when said article is located in a predetermined area; and a deactivation system for deactivating said electronic article surveillance tag when said article is located in said predetermined area.

2. An apparatus as recited in claim 1, wherein said data transponder has data stored about said article and said data communication system gathers the stored data from said data
10 transponder when said article is in said predetermined area.

3. An apparatus as recited in claim 2, wherein said data gathered from said data transponder comprises at least one of the selling price of said article, identification of the article and the manufacturer of said article.

4. An apparatus as recited in claim 3, further comprising a display connected to said
15 data communication system and wherein said data communication system provides the gathered data to said display.

5. An apparatus as recited in claim 1, wherein said data communication system can transmit data to said data transponder when said data transponder is in said predetermined area and said data transponder can receive and store data transmitted from said data
20 communication system.

6. An apparatus as recited in claim 5, wherein said data transmitted by said data communication system comprises at least one of the date of sale of said article, the place of sale of said article, and the selling price of said article.

7. An apparatus as recited in claim 2, wherein said data communication system can
25 transmit data to said data transponder when said data transponder is in said predetermined area and said data transponder can receive and store data transmitted from said data communication system.

8. An apparatus as recited in claim 6, wherein said data communication system can
30 transmit data to said data transponder when said data transponder is in said predetermined area and said data transponder can receive and store data transmitted from said data communication system.

9. An apparatus as recited in claim 8, wherein said data transmitted by said data communication system comprises at least one of the date of sale of said article, the place of sale of said article, and the selling price of said article.

5 10. An apparatus as recited in claim 1, further comprising a housing and wherein said data communication system comprises an antenna positioned in said housing and said deactivation system comprises a deactivation coil positioned in said housing.

11. An apparatus as recited in claim 10, wherein said housing comprises sidewalls and a portion of said deactivation coil is positioned in one of said sidewalls and a portion of said antenna is positioned in one of said sidewalls.

10 12. An apparatus as recited in claim 10, wherein said antenna and said deactivation coil are coplanar.

13. An apparatus as recited in claim 12, wherein said antenna and said deactivation coil are concentric.

1/4

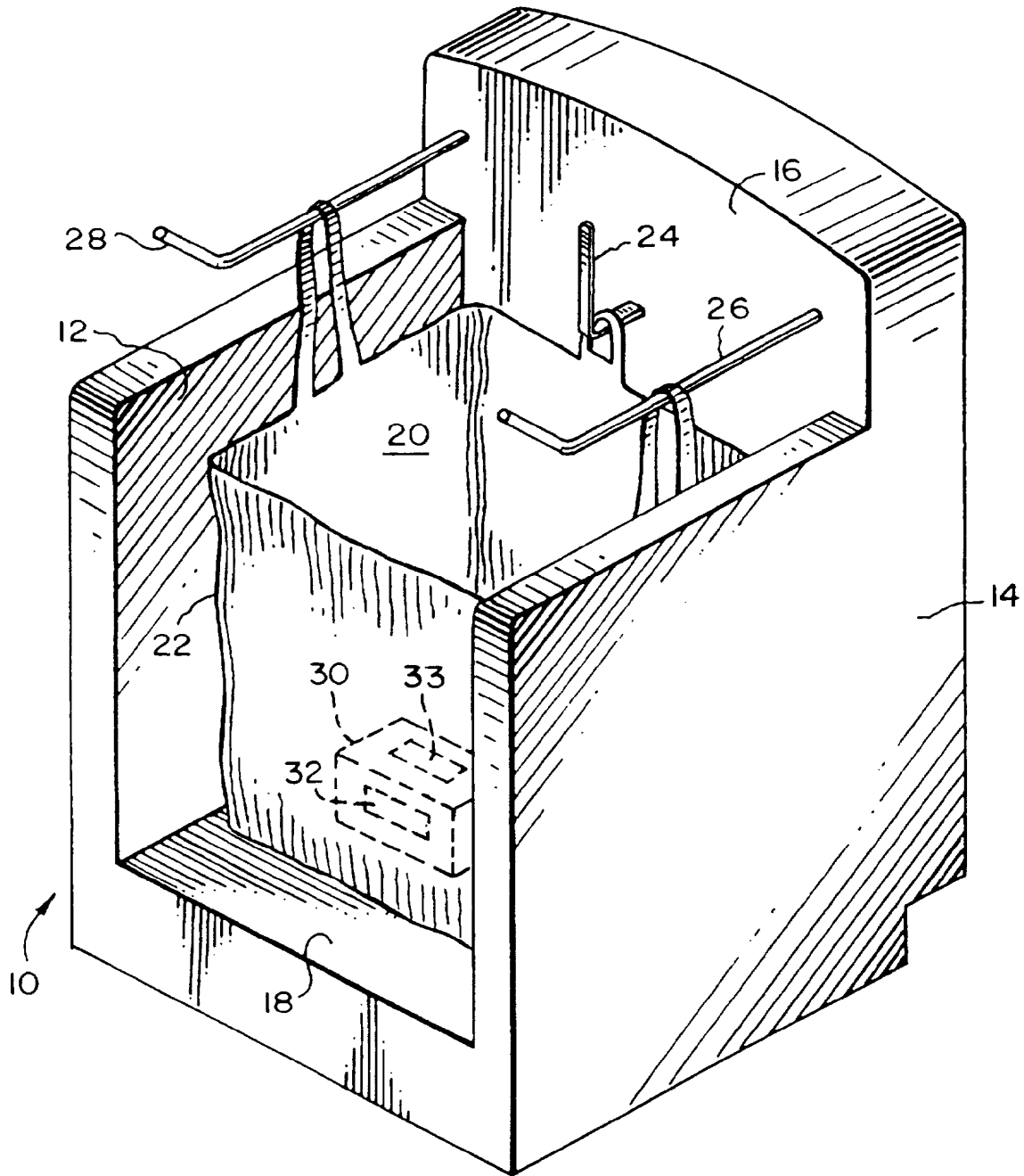


FIG. 1

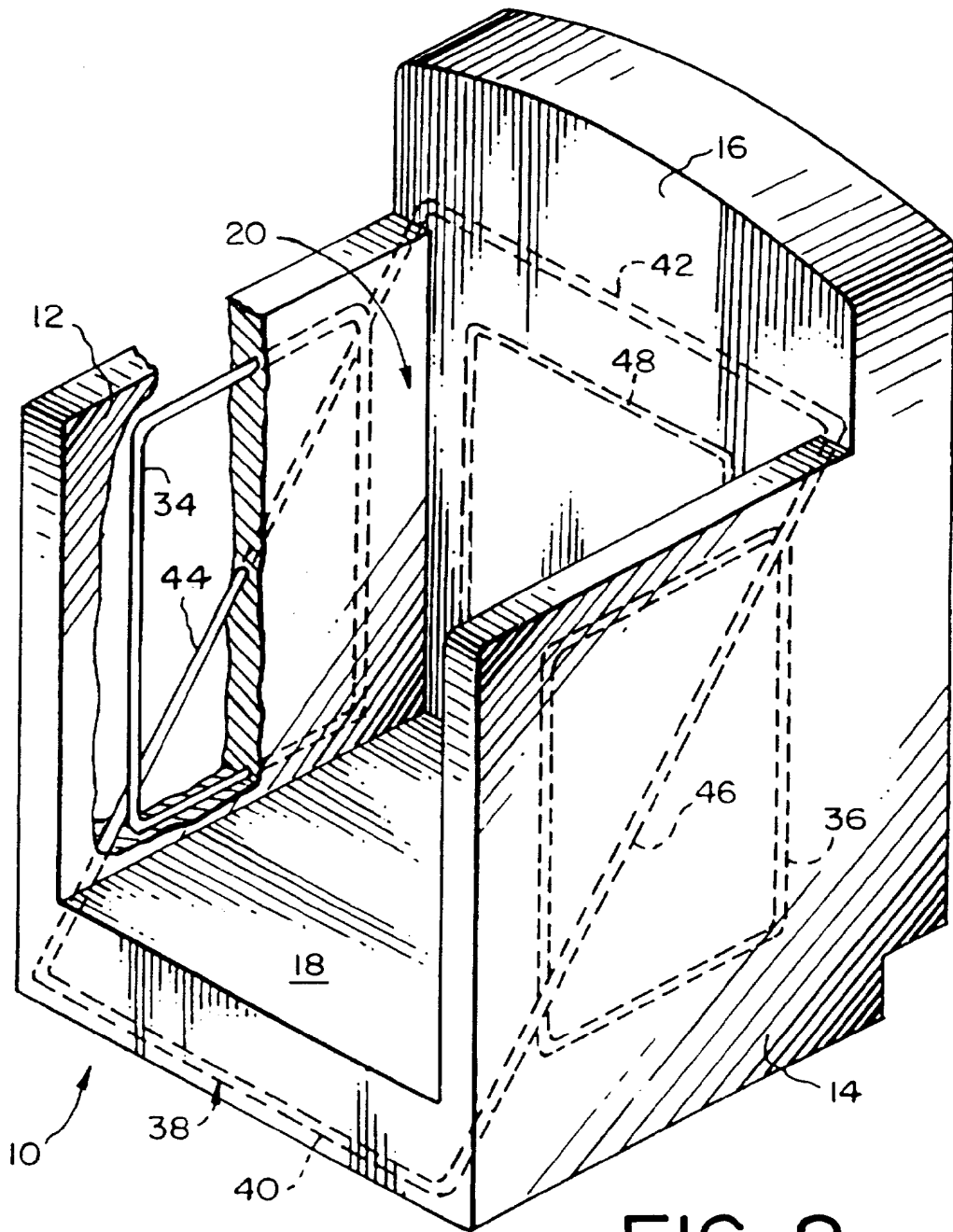


FIG. 2

3/4

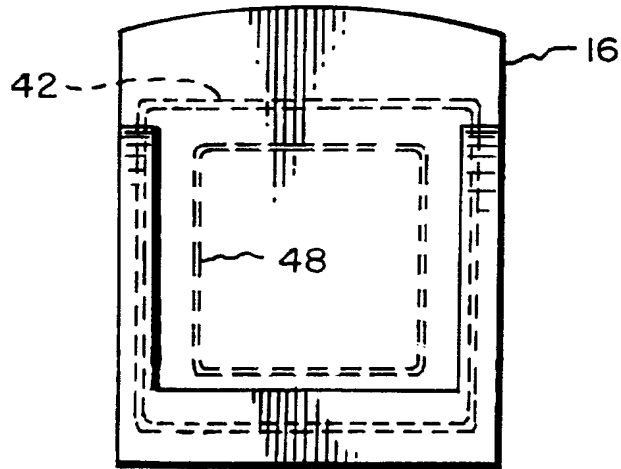


FIG. 3

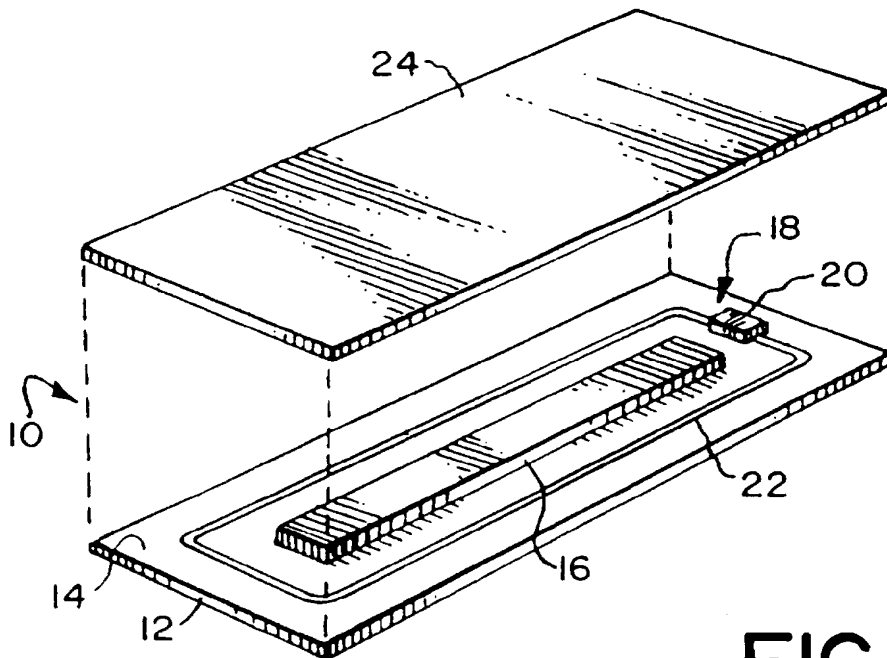


FIG. 5

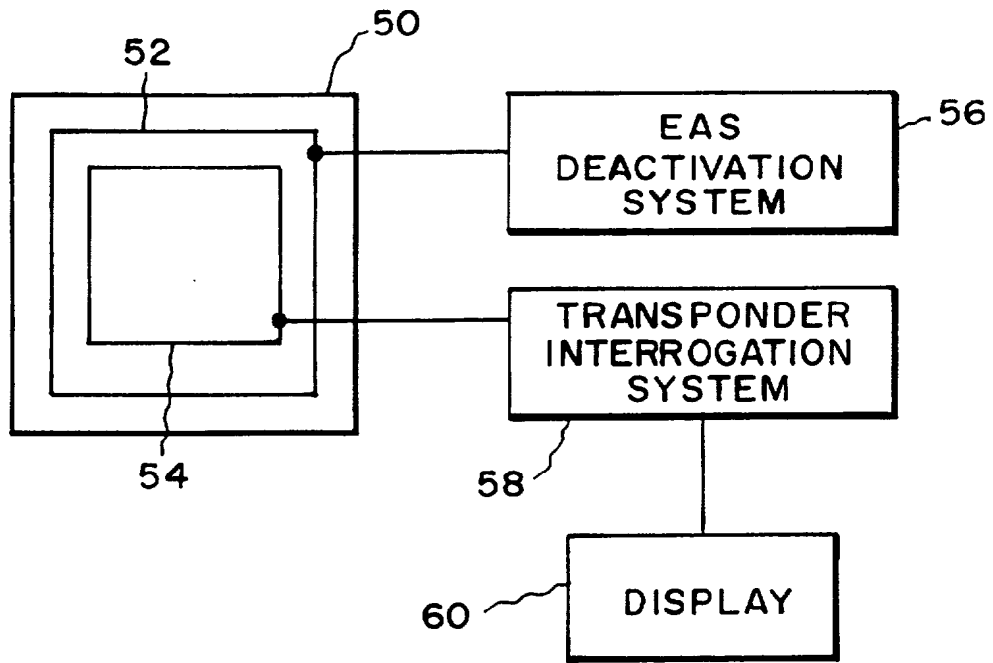


FIG. 4

INTERNATIONAL SEARCH REPORT

International application No.
PCT/US97/17570

A. CLASSIFICATION OF SUBJECT MATTER IPC(6) : G08B 23/00 US CL : 340/573 According to International Patent Classification (IPC) or to both national classification and IPC		
B. FIELDS SEARCHED Minimum documentation searched (classification system followed by classification symbols) U.S. : 340/573, 572, 551, 521, 522 Documentation searched other than minimum documentation to the extent that such documents are included in the fields searched Electronic data base consulted during the international search (name of data base and, where practicable, search terms used)		
C. DOCUMENTS CONSIDERED TO BE RELEVANT		
Category*	Citation of document, with indication, where appropriate, of the relevant passages	Relevant to claim No.
X	US 5,059,951 A (KALTNER) 22 October 1991, Fig. 1, Nos. 2,9	1-3, 5-9
Y		4, 10-13
Y	US 5,500,640 A (ZHOU et al) 19 March 1996, Fig. 1, No. 22	4, 10-13
A	US 5,210,524 A (SCHWARZ et al) 11 May 1993	
A	US 5,469,142 A (BERGMAN et al) 21 November 1995	
A	US 5,258,766 A (MURDOCH et al) 02 November 1993	
A	US 5,260,690 A (MANN et al) 09 November 1993	
<input checked="" type="checkbox"/> Further documents are listed in the continuation of Box C. <input type="checkbox"/> See patent family annex.		
* Special categories of cited documents:		*T* later document published after the international filing date or priority date and not in conflict with the application but cited to understand the principle or theory underlying the invention
A document defining the general state of the art which is not considered to be of particular relevance		*X* document of particular relevance; the claimed invention cannot be considered novel or cannot be considered to involve an inventive step when the document is taken alone
B earlier document published on or after the international filing date		*Y* document of particular relevance; the claimed invention cannot be considered to involve an inventive step when the document is combined with one or more other such documents, such combination being obvious to a person skilled in the art
L document which may throw doubts on priority claim(s) or which is cited to establish the publication date of another citation or other special reason (as specified)		*A* document member of the same patent family
O document referring to an oral disclosure, use, exhibition or other means		
P document published prior to the international filing date but later than the priority date claimed		
Date of the actual completion of the international search	Date of mailing of the international search report	
25 NOVEMBER 1997	29 JAN 1998	
Name and mailing address of the ISA/US Commissioner of Patents and Trademarks Box PCT Washington, D.C. 20231 Facsimile No. (703) 305-3230	Authorized officer <i>John Tweel, Jr.</i> JOHN TWEEL, JR. Telephone No. (703) 308-7826	

INTERNATIONAL SEARCH REPORT

International application No.
PCT/US97/17570

C (Continuation). DOCUMENTS CONSIDERED TO BE RELEVANT

Category*	Citation of document, with indication, where appropriate, of the relevant passages	Relevant to claim No.
A	US 5,410,296 (MONTBRIAND et al) 25 April 1995	